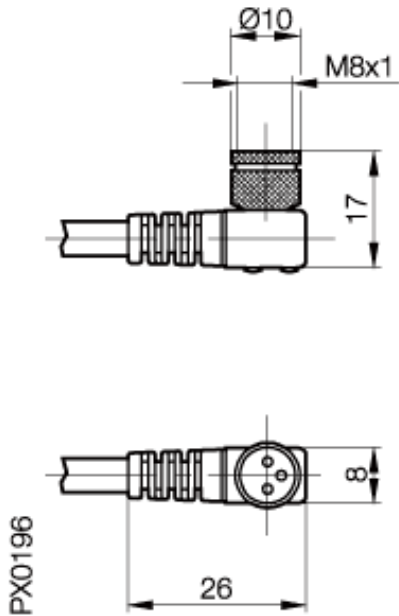


## Accessories: Connectors BKS-S 49-4-PU-



### Common Data

Version  
Usable with  
PNP, M8)  
Manufacturer  
Ambient temperature  
Function display  
Supply voltage display

Connector, right angle, 3-pin  
on Sensors with connection S49(DC,

Lumberg  
-25°C...+90°C°C  
yes  
yes

### Mechanical Data

Measurements WxHxD or Dia x D  
Material  
Protection class per IEC 60529  
Cable version  
Conductor cross section

26x17x10mm  
Housing Polyester TPU  
67IP  
fully potted, LifY-Y-11Y-0  
3 x 0,34mm<sup>2</sup>mm<sup>2</sup>

### Electrical Data

Supply voltage

10...30VDCV



Datasheet number::

Definitions see general catalog.  
If not otherwise noted, ratings according to  
IEC 60947-5-2 (DIN EN60947-5-2)

Balluff GmbH  
P.O.Box 1160  
73761 Neuhausen Germany  
Phone (07158) 173-0 Fax (07158) 5010

Datenblatt by CD-ROM - 10/2004

**BALLUFF**