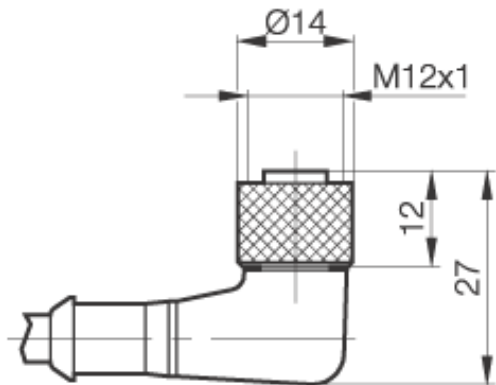


## Accessories: Connectors BKS-S 20-2-PU-

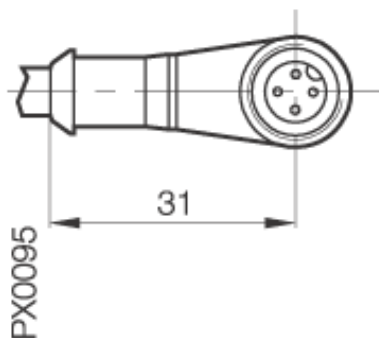


### Common Data

Version	Connector, right angle, 3-pin, without
LED	
Usable with	on Sensors with connection S4 (DC,
n.c., M12)	
Manufacturer	Lumberg
Ambient temperature	-25°C...+90°C
Function display	no
Supply voltage display	no

### Mechanical Data

Measurements WxHxD or Dia x D	27x31x14mm
Material	Housing Polyester TPU
Protection class per IEC 60529	68 acc. BWN Pr.20IP
Cable version	fully potted, LifY-Y-11Y-0
Conductor cross section	3 x 0,34mm <sup>2</sup> mm <sup>2</sup>



### Electrical Data

Supply voltage	10...30VDCV
----------------	-------------



Datasheet number::

Definitions see general catalog.  
If not otherwise noted, ratings according to  
IEC 60947-5-2 (DIN EN60947-5-2)

Balluff GmbH  
P.O.Box 1160  
73761 Neuhausen Germany  
Phone (07158) 173-0 Fax (07158) 5010