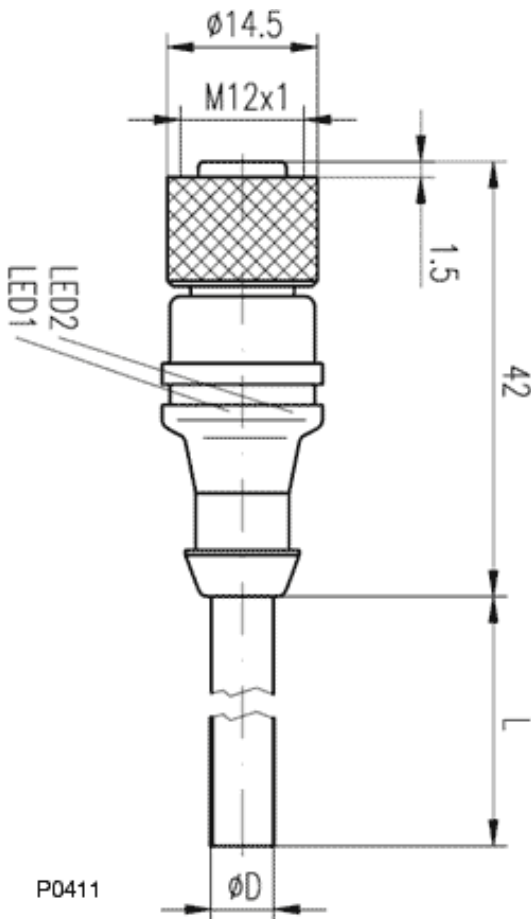


Accessories: Connectors BKS-S 19-8-PU-



Common Data

Version
Usable with
PNP, Antivalent, M12)
Manufacturer
Ambient temperature
Function display
Supply voltage display

Connector, straight, 4-pin, 2 LED
on Sensors with connection S4 (DC,

Lumberg
-25°C...+90°C°C
yes
yes

Mechanical Data

Measurements WxHxD or Dia x D
Material
Protection class per IEC 60529
Cable version
Conductor cross section

42 x 14,5mm
Housing Polyether TPU
68 acc. BWN Pr.20IP
fully potted, LifY-Y-11Y-0
4 x 0,25mm²mm²

Electrical Data

Supply voltage

10...30VDCV



Datasheet number::

Definitions see general catalog.
If not otherwise noted, ratings according to
IEC 60947-5-2 (DIN EN60947-5-2)

Balluff GmbH
P.O.Box 1160
73761 Neuhausen Germany
Phone (07158) 173-0 Fax (07158) 5010