

# Low Cost Load Cell

## Model 53

±0.25% NON-LINEARITY

5 TO 50,000 LBS.

STAINLESS STEEL



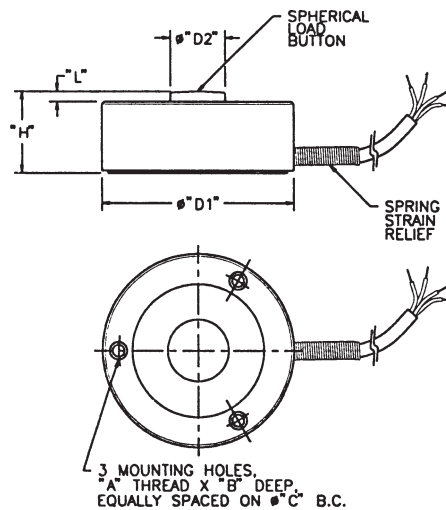
Model 53 load cells are bonded foil strain gage transducers designed for low cost production and testing applications (i.e. press calibration). Engineered compression force measurements up to 50,000 lbs., this model achieves a maximum non-linearity of 0.25% full scale. Precision gaging techniques and a stainless steel construction provides excellent long-term stability and reliability under severe operating conditions. The Model 53 compression-only load cell has an integral load button machined as part of the load cell. The Model 53 must be mounted on a smooth flat surface for proper operation. Three tapped holes are provided for mounting.

### Dimensions

(Order Code) AL131

**Ranges**

	D1"	D2"	H"	L"	A"	B"	C"
5, 10, 25, 50, 100 lbs.	1.00	.21	.62	.05	#4-40 UNC	.22	.75
250, 500, 1000, 2000 lbs.	1.25	.32	.39	.07	#6-32-UNC	.25	1.00
3000, 4000, 5000, 7500, 10,000 lbs.	1.50	.43	.63	.08	#6-32 UNC	.25	1.25
15,000, 20,000, 30,000 lbs.	2.00	.60	1.00	.12	#6-32 UNC	.25	1.625
50,000 lbs.	3.00	.78	1.50	.18	#6-32 UNC	.25	2.375



### Options (See Appendix)

Temperature compensated 1b; 1c; 1e

Premium Options: 1g; 1h; 1i; 6d; 6i (H" dimension will increase); 12b

1-800-848-6564

Honeywell  
SENSOTEC

www.honeywell.com/sensing

**Model 53**  
**(Compression Only)**  
**Order Code AL131)**

<b>PERFORMANCE</b>	Load Ranges . . . . .	5 to 50,000 lbs.
	Non-Linearity (max) . . . . .	±0.25% F.S.
	Hysteresis (max) . . . . .	±0.3% F.S.
	Non-Repeatability (max) . . . . .	±0.1% F.S.
	Output (standard) . . . . .	2mV/V
	Resolution . . . . .	Infinite
<b>ENVIRONMENTAL</b>	Temperature, Operating . . . . .	-65° F to 250° F
	Temperature, Compensated . . . . .	60° F to 160° F
	Temperature Effect	
	– Zero (max) . . . . .	.005% F.S./° F
	– Span (max) . . . . .	.01% Rdg./° F
<b>ELECTRICAL</b>	Strain Gage Type . . . . .	Bonded foil
	Excitation (calibration) . . . . .	10VDC
	Excitation (acceptable) . . . . .	Up to 10VDC or AC
	Insulation Resistance . . . . .	5000 megohm @ 50VDC
	Bridge Resistance . . . . .	350 ohms
	Shunt Calibration Data . . . . .	Included
	Wiring Code (std.) . . . . .	#1 (See Pg. AP-8)
	Electrical Termination (std) . . . . .	Teflon cable (5 ft.)
<b>MECHANICAL</b>	Overload, Safe . . . . .	50% over capacity
	Deflection – Full Scale . . . . .	.001" – .003"
	Casing Material . . . . .	17-4 PH Stainless
<b>IN-LINE AMPLIFIERS</b> (Optional)	Outputs Available . . . . .	0-5VDC, 4-20mA

**General Information**

How to order (See Pg. AP-19)  
 Load cell selection flow chart (See Pg. LO-1)