

GENERAL CHARACTERISTICS

Mechanical Flowmeter for liquids or gaseous media. With magnetic triggering of a metering unit with 270° of pointer range. Rugged design in bronze/brass combination.

- * local metering
- * good repeatability
- * dirt-resistant
- * low pressure loss
- * easy adjustment by indicating pointer



Female thread G1/4 to G3 bronze



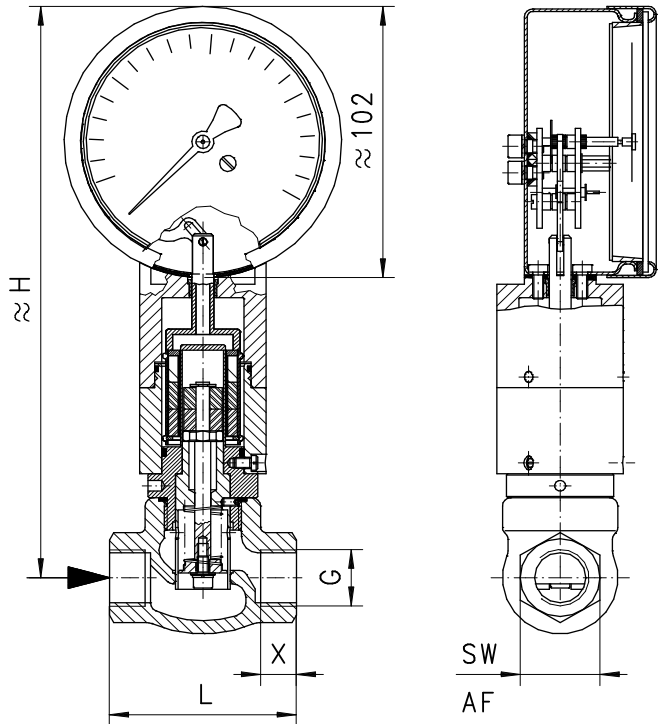
TZ1-025GR060

TECHNICAL DATA

	G	Type	PN bar	Qmax. rec. l/min H ₂ O		metering range l/min H ₂ O		H mm	L mm	AF mm	X mm	weight kg
bronze/brass	G 1/4	TZ1-008GR...	100	8	12	2 - 6	3 - 12	212	68	29	12	1.6
	G 3/8	TZ1-010GR...	100	10	12	2 - 6	3 - 12	212	68	29	12	1.6
	G 1/2	TZ1-015GR...	100	20		2 - 6	4 - 20	212	68	29	13	1.6
	G 3/4	TZ1-020GR...	25	40		4 - 20	10 - 40	212	73	32	11	1.7
	G 1	TZ1-025GR060	25	60		10 - 60		216	87	41	12	2.0
	G 1 1/4	TZ1-032GR100	16	100		10 - 100		226	98	52	13	2.6
	G 1 1/2	TZ1-040GR150	16	150		10 - 150		228	113	59	14	3.1
	G 2	TZ1-050GR250	16	250		20 - 250		236	137	72	17	6.4
	G 2 1/2	TZ1-065GR400	16	400		30 - 400		268	160	85	26	7.5
	G 3	TZ1-080GR600	16	600		30 - 600		268	148	100	23	8.7

Metering range is indicated for horizontally increasing flow.

tolerance ±3% of full scale
media temperature max. 90°C
average pressure loss 0.25bar at Qmax.



MATERIALS

housing bronze Rg5/Rg6 nickel plated
piston/disc brass Ms58
spring stainless steel 1.4310
piston sleeve brass Ms58
magnet bariumferrite
seal NBR

ELECTRICAL DATA

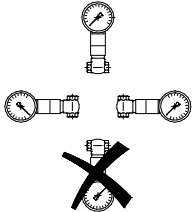
● **BASIC Standard**

No electrical components.

○ **BASIC Programme option**

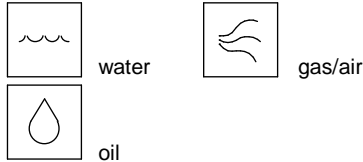
integrated micro switch
with front switch units
see data sheet 1.3.TZ1.ZE

INSTALLATION POSITIONS



Installation position may influence metering range.

METERING SUBSTANCES



NOMENCLATURE

For combinations see table "technical data".

TZ1-	008	G	R	006		basic type
					●	Flowmeter
TZ1M-					○	Flowmeter with integrated micro switch
	008				●	DN 8 - G1/4
	010				●	DN 10 - G3/8
	015				●	DN 15 - G1/2
	020				●	DN 20 - G3/4
	025				●	DN 25 - G1
	032				●	DN 32 - G1 1/4
	040				●	DN 40 - G1 1/2
	050				●	DN 50 - G2
	065				●	DN 65 - G2 1/2
	080				●	DN 80 - G3
		G			●	female thread
			R		●	housing bronze
				006	●	2 - 6 l/min
				012	●	3 - 12 l/min
				020	●	4 - 20 l/min
				040	●	10 - 40 l/min
				060	●	10 - 60 l/min
				100	●	10 - 100 l/min
				150	●	10 - 150 l/min
				250	●	20 - 250 l/min
				400	●	30 - 400 l/min
				600	●	30 - 600 l/min
Programme option					○	front switch unit with 10-kOhm-potentiometer
BASIC						diode
Special option					□	special range
VARIO						metering range for oil or gas
						front switch unit 2pol, n.o. or n.c.

IMPORTANT FOR YOUR ORDER

- Please indicate flow direction, metering substance and metering range with your order.
- With viscous liquids please indicate viscosity, temperature and metering substance (metering range on request)
- With gaseous media indicate pressure (relative or absolute), temperature and metering substance (metering range on request)
- For additional information concerning options micro switch and front switch see data sheet 1.3.TZ1.ZE.

All technical changes reserved

IBASIC Standard ○BASIC Programme option □VARIO Special option ⊕ PLUS Accessories ✗ not recommendable