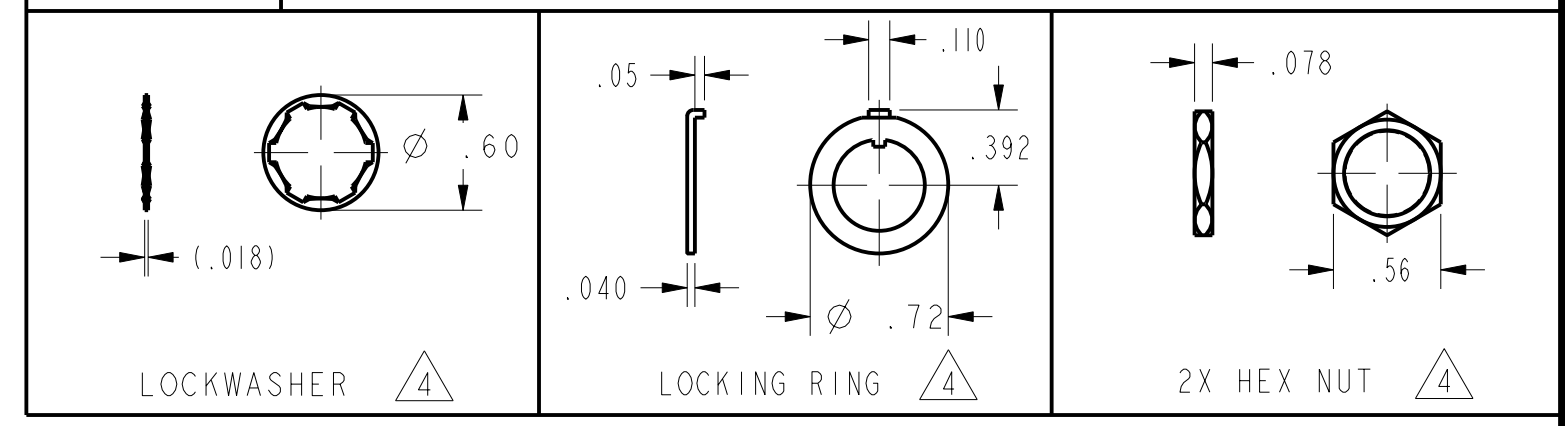


CATALOG LISTING	AVAILABLE LOCKING COMBINATIONS FOR CONFIGURATION SEE LETTERED DETAILS	CIRCUIT WITH TOGGLE IN			ELECTRICAL DATA
		KEYWAY SIDE	CENTER	OPPOSITE KEYWAY	
4NT1-1	A,B,D,E,F,G,H,J,K,L,M,N,P	ON	OFF	ON	L191 15A 125, 250, 277 VAC 1/2HP 125 VAC 1HP 250, 277 VAC 5A 125 VAC "L"
4NT1-2	D, F, G	OFF	NONE	ON	
4NT1-3	D, F, G	ON	NONE	ON	
4NT1-21	E, F, K, M	NONE	OFF	ON	
4NT1-31	E, F, K, M	NONE	ON	ON	L192 10A 125, 250, 277 VAC 1/4HP 125 VAC, 1/2HP 250, 277 VAC 3A 125 VAC "L"
4NT1-4	F	MOM OFF	NONE	ON	
4NT1-5	E, F, K, L, M, N	MOM ON	OFF	ON	
4NT1-6	F	MOM ON	NONE	OFF	
4NT1-7	E, L, N	MOM ON	OFF	MOM ON	
4NT1-8	F	MOM ON	NONE	ON	
4NT1-51	E	NONE	ON	MOM ON	
4NT1-61	E	MOM ON	OFF	NONE	

"A"	"B"	"D"	"E"	"F"	"G"
LOCKED IN THREE POSITIONS	LOCKED IN CENTER AND EXTREME POS. (KEYWAY SIDE)	LOCKED OUT OF CENTER POSITION	LOCKED IN CENTER POSITION	LOCKED IN EXTREME POS. (OPP. KEYWAY)	LOCKED IN EXTREME POS. (KEYWAY SIDE)
"H"	"J"	"K"	"L"	"M"	"N"
LOCKED OUT OF CENTER AND EXTREME POS. (KEYWAY SIDE)	LOCKED OUT OF CENTER AND EXTREME POS. (OPP. KEYWAY)	LOCKED IN CENTER AND EXTREME POS. (OPP. KEYWAY)	LOCKED OUT OF EXTREME POS. (KEYWAY SIDE)	LOCKED OUT OF AND INTO EXTREME POS. (OPP. KEYWAY)	LOCKED OUT OF EXTREME POS. (OPP. KEYWAY)
"P"	LOCKED OUT OF AND INTO EXTREME POS. (KEYWAY SIDE)				



- NOTES
- SWITCHES ARE CAPABLE OF WITHSTANDING A TEMPERATURE OF 160°F CONTINUOUSLY AT FULL RATED LOAD
 - MICRO SWITCH CATALOG LISTING MARKED ON SIDE OF SWITCH
 - KEYWAY SHOWN ON LEFT SIDE
 - FURNISHED UNASSEMBLED
 - FROM BOTTOM OF KEYWAY TO MAJOR Ø OF 15/32 THREAD
 - SUFFIX LETTER MUST BE ADDED FOR DESIRED TYPE TOGGLE LOCKING. SEE CHART FOR AVAILABLE LOCKING COMBINATIONS
 - APPLIES ONLY TO "ON" AND "MOM ON" POSITIONS

THIS DRAWING COVERS A PROPRIETARY ITEM AND IS THE PROPERTY OF MICRO SWITCH, A DIVISION OF HONEYWELL. THIS DRAWING IS NOT TO BE COPIED OR USED WITHOUT THE APPROVAL OF MICRO SWITCH.

MICRO SWITCH
a Honeywell Division

SWITCH - TOGGLE

CATALOG LISTING
4NT1 SERIES
CHART 2

THIRD ANGLE PROJECTION

SCALE FULL

DO NOT SCALE PRINT

UNLESS OTHERWISE SPECIFIED TOLERANCES ARE

ONE PLACE	(.0)	± .030
TWO PLACES	(.00)	± .015
THREE PLACES	(.000)	± .005
ANGLES		±

WEIGHT

P.T.C./CAD [20] DRAWN L.JK 19 NOV 99 CHECK JAF 19 NOV 99
 4NT1 SERIES CHART 2 PAGE 1 OF 1 RELEASE NO. PR-20828
 ISSUE 3 DRAWING NUMBER 3 REVISIONS A CO-94362 19 NOV 99