

MICRO SWITCH

A DIVISION OF MILWAUKEE-HONEYWELL REGULATOR COMPANY
MILWAUKEE, WISCONSIN

FED. MFR. CODE 91929

ACTUATOR-SWITCH

CATALOG LISTING

MD3211-Q

S

(M) MD3211-Q

ISSUE 4

MD3211-Q

M

DRAWING NUMBER

REPLACES

RELEASE NO.

ISSUE

7

CHECK

REVISIONS

A	CO 9520	R. L. Z.	24 SEPT. 58
B	CO 74336	K. D. R.	4 MAY 93
C	CO-774336	S. A. D.	20 JUL 94

CHECK

CHECK

CHECK

CHECK

CHECK

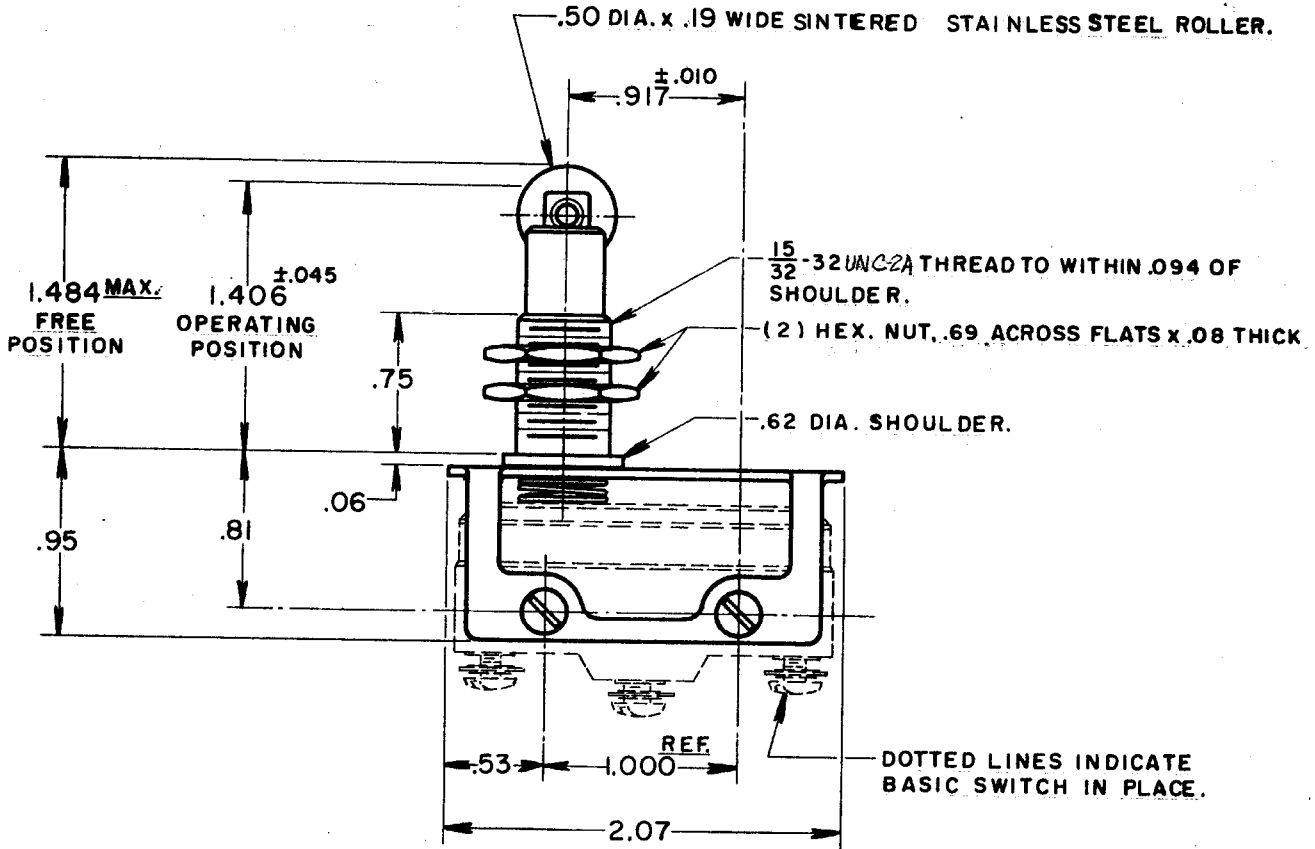
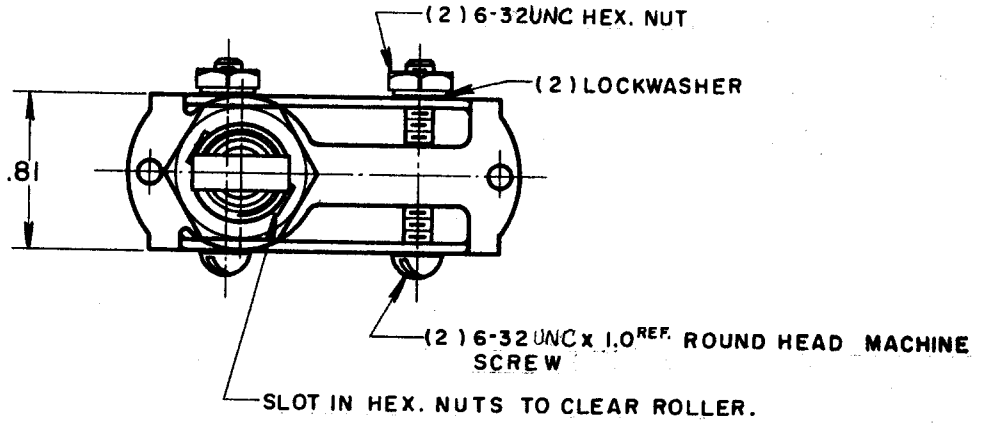
CHECK

CHECK

CHECK

CHECK

CHECK



NOTE-
1- SCREWS, NUTS, AND LOCKWASHERS FURNISHED UNASSEMBLED.

THIS DRAWING COVERS A PROPRIETARY ITEM AND IS THE PROPERTY OF MICRO SWITCH, A DIVISION OF HONEYWELL. THIS DRAWING IS NOT TO BE COPIED OR USED WITHOUT THE APPROVAL OF MICRO SWITCH.

CHARACTERISTICS

ELECTRICAL DATA

SCALE - FULL

CONTACT ARRANGEMENT

BREAK DISTANCE

DO NOT SCALE PRINT

OVERTRAVEL — — — .125 APPROX.

UNLESS OTHERWISE SPECIFIED DIMENSIONS ARE IN INCHES

TOLERANCES ARE:

ONE PLACE (.0)	±.030
TWO PLACE (.00)	±.015
THREE PLACE (.000)	±.005
ANGLES	±

WEIGHT

FO-80378

DRAWN

R. L. Z. 24 SEPT. 56

G. C. H. 22 OCT. 56

M. J. L. 26 SEPT. 58

CHECK